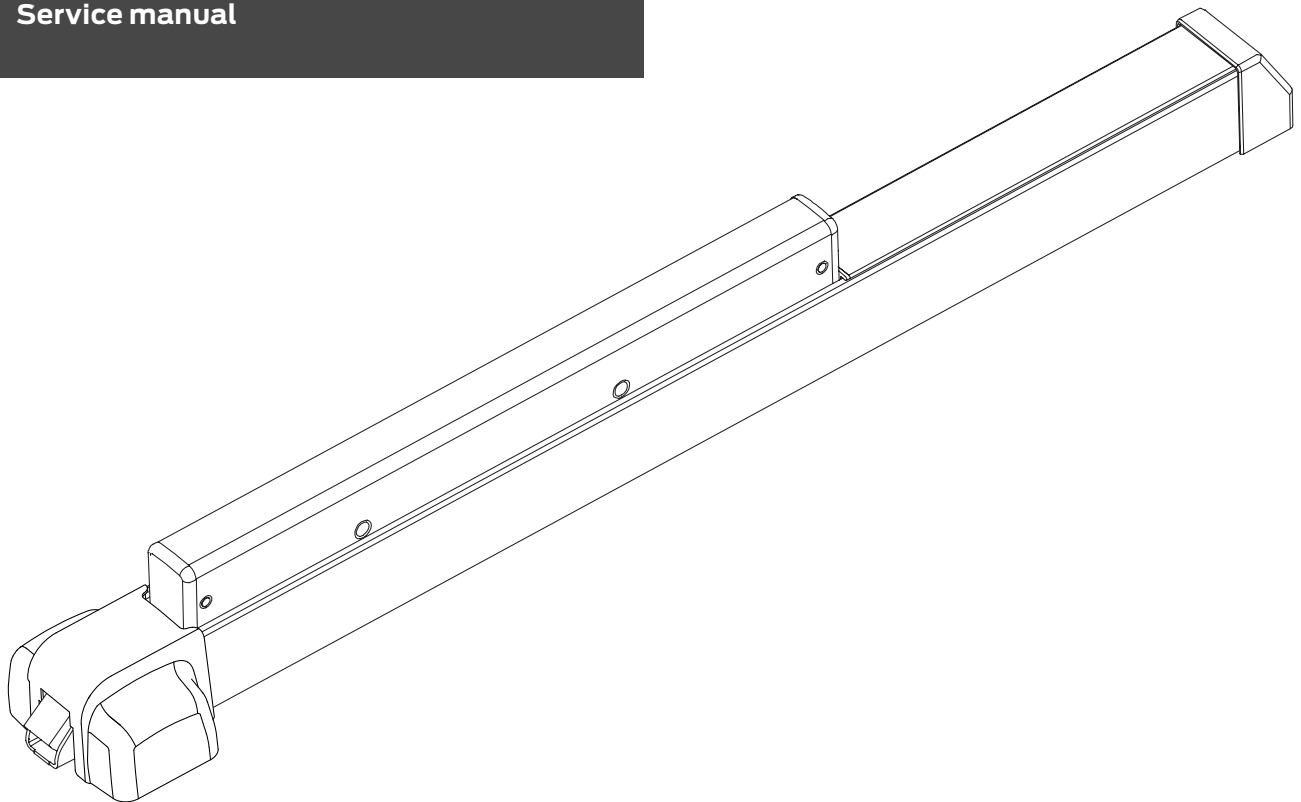


VON DUPRIN®

22 Series Rim Exit Device

Service manual



INDEX

22 Rim Devices	
Basic Panic Device	4-5
Basic Fire Device	6-7
Baseplate Assemblies	8
Center Case Assembly	9
Variations of the Basic Device	
QEL (Quiet Electric Latch)	10
RX (Request to Exit)	11
LX (Latch Bolt Monitoring)	11
ALK Exit Alarm Kit	12
General Information	
Introduction	2
How to Order	2
Part Number Changes	2
Finishes	3
Outside Trim Functions	3
Strikes	3

INTRODUCTION

This manual contains a listing of replaceable parts and assemblies for the 22 Rim Exit Hardware Devices.

HOW TO ORDER

Some parts are sold separately. Other items are available as part of a kit or multiple quantity package. For the best possible service when ordering replacement parts or assemblies, please provide the following information:

- Part number or assembly number
- Description
- Quantity needed
- Finish desired (if available finished)
- Date of original purchase (if known)

To find out the name of your local Von Duprin distributor or sales representative, contact:

Von Duprin Division
Allegion
2720 Tobey Drive
Indianapolis, Indiana 46219
Phone: (877) 671-7011

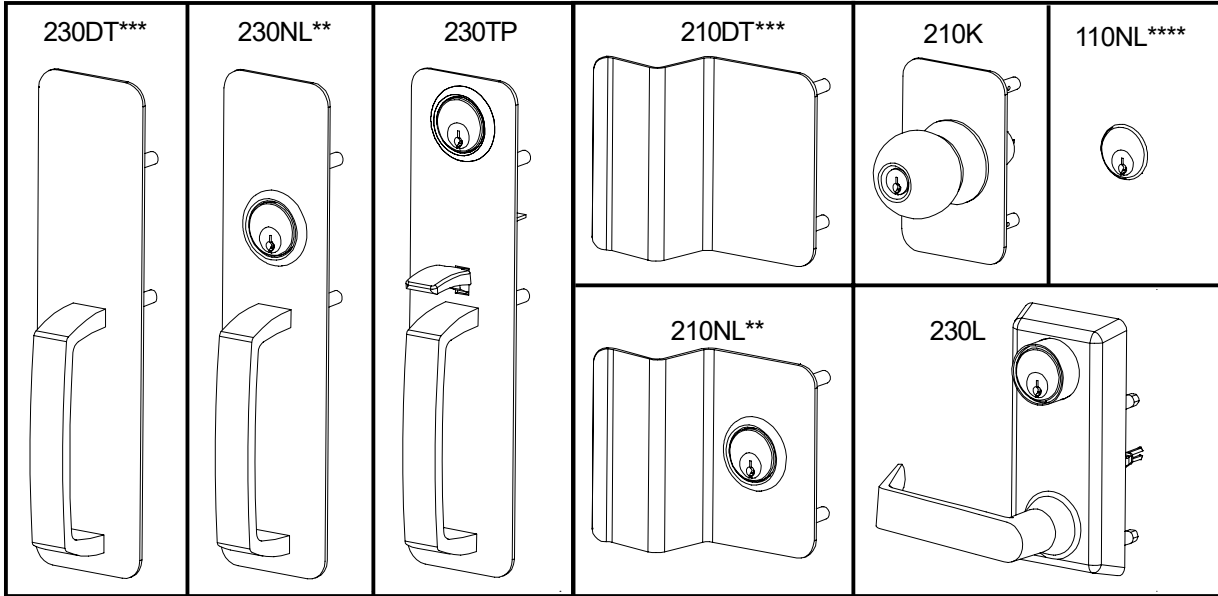
PART NUMBER AND AVAILABILITY CHANGES

This manual was designed to help illustrate the replacement parts and kits that are available for sale. Because of changes to the product and/or manufacturing process, part numbers and availability can change over time.

22 SERIES DEVICE AND TRIM FINISHES

U.S. Number	BHMA Number	Description	U.S. Number	BHMA Number	Description
---	526	Powder-Coated Chrome	SP28	689	Powder-Coated Aluminum
US19	622	Powder-Coated Matte Black	SP313	695	Powder-Coated Dark Bronze

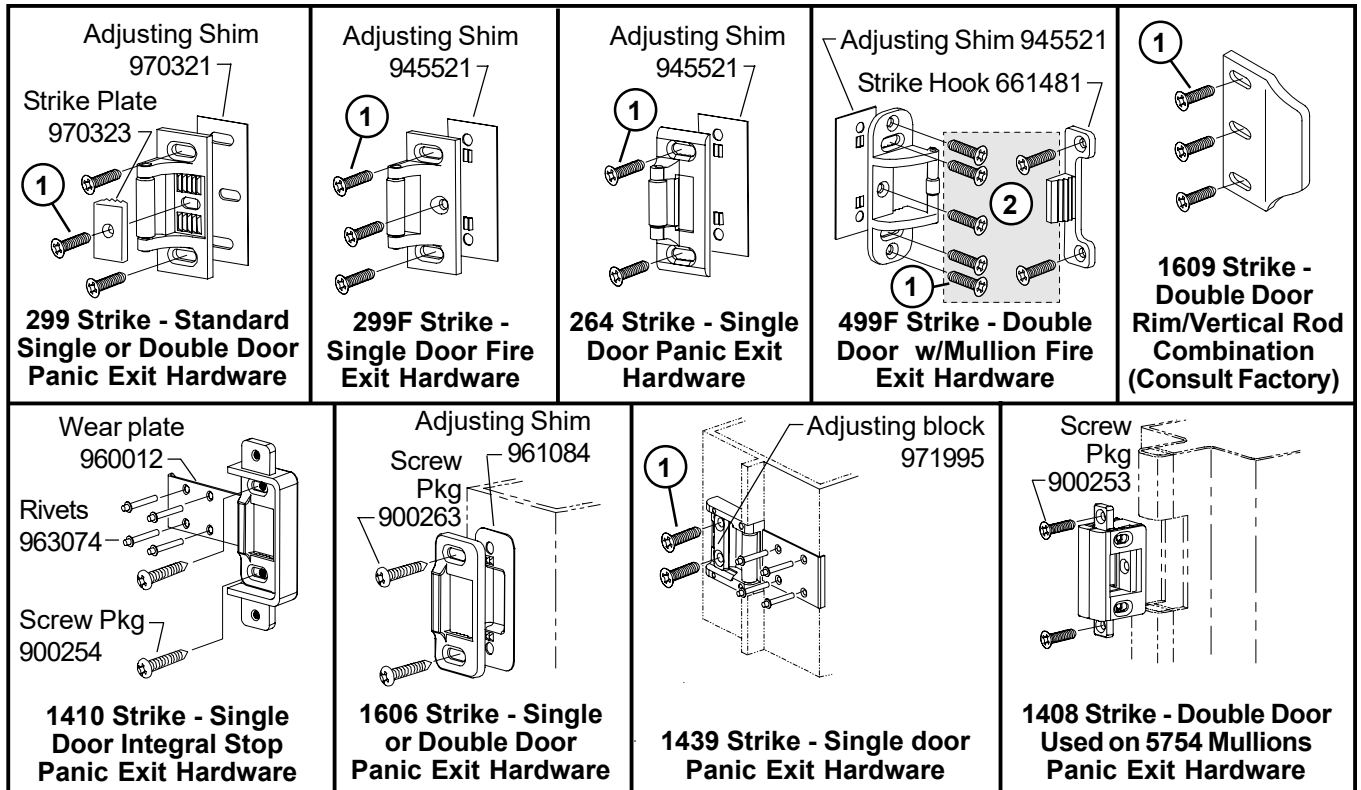
OUTSIDE TRIM FUNCTIONS



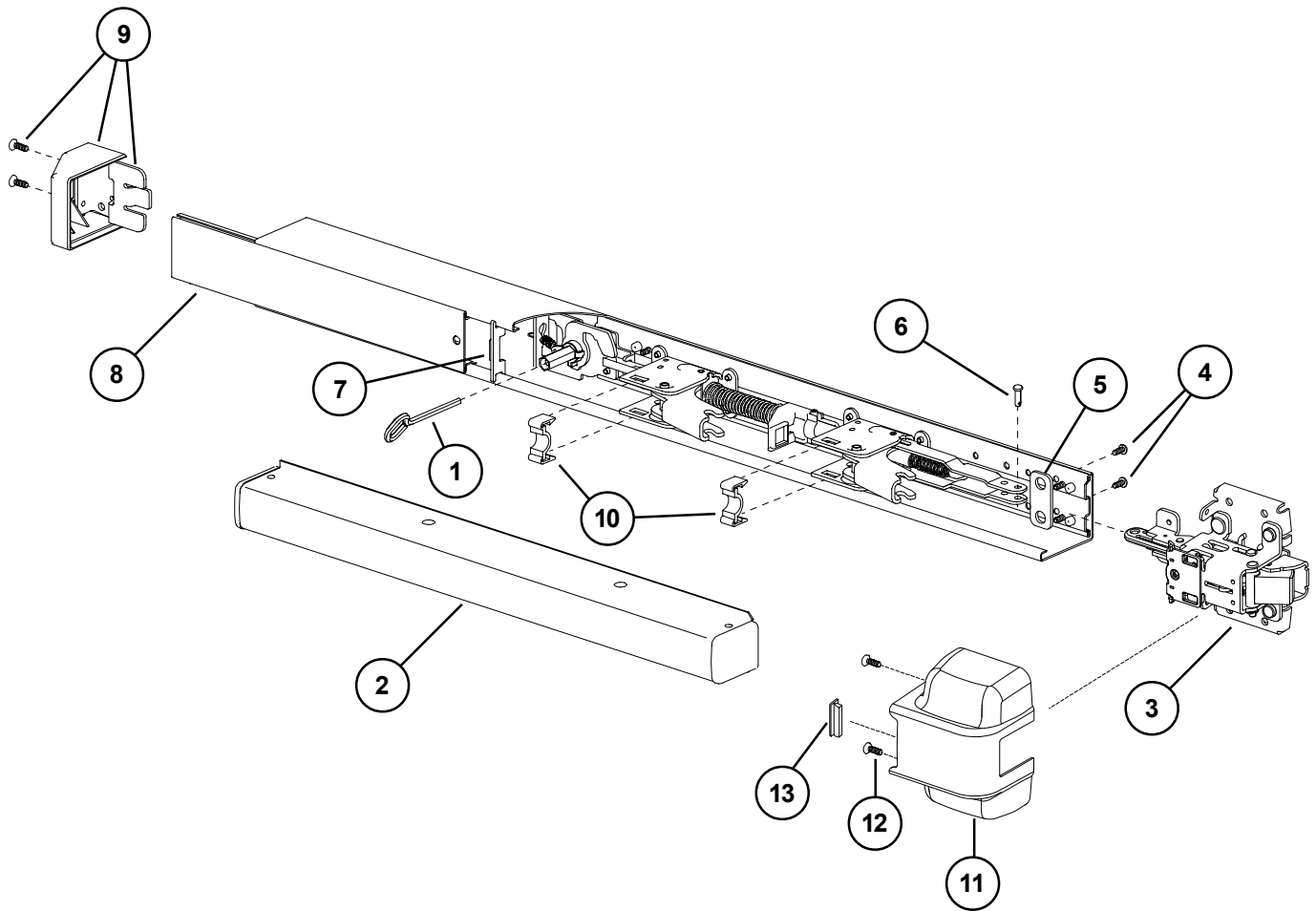
- * "BE" (Blank Escutcheon) no cylinder used - lever always active
- ** "NL" (Night Latch) key retracts latch bolt
- *** "DT" (Dummy Trim) for pull operation
- **** Optional Pull needs to be added

- ① Metal Door Screw Package PKGSRV.1023 (Pkg of 10)
- ② 499F Strike Mounting Package 900289 (Pkg of 7)

STRIKES



22 RIM PANIC DEVICE



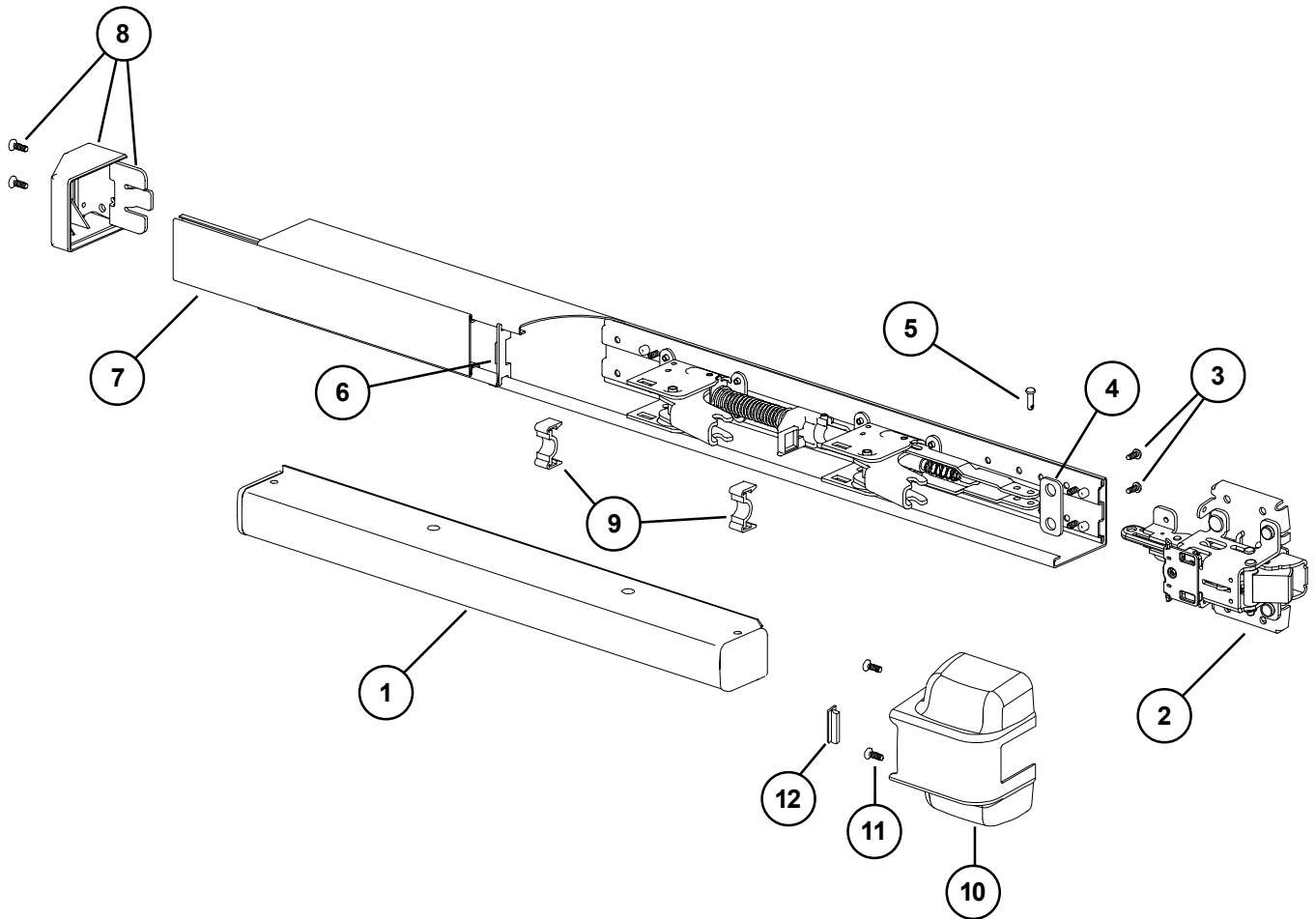
22 RIM PANIC DEVICE

Item No.	Quantity	Part No.	Description	Finish
	1	900392	22 Series Mounting Pkg. (1-3/4 & 2-1/4)	
1	1	090085	227 Dog Key 5/32" Hex (Pkg of 10)	
1	1	090005	227 Dog Key 5/32" Hex (Pkg of 2)	
2	1	*PBKIT	22 Series Push Bar Retrofit Kit - 3' Door	X
2	1	*PBKIT	22 Series Push Bar Retrofit Kit - 4' Door	X
3	1	109012	22/22-F Rim Center Case Less Cover	
4	1	090037	Baseplate Screw (Pkg of 10)	
5	2	47289674	22 Center Case Spacer	
6	1	050529	Control Link Pin	
6	1	090031	Control Link Pin (Pkg of 10)	
7	1	968592	Cover Plate Bearing Insert	
8	1	968595	22/2227 Cover Plate - 3' Dr	X
8	1	968596	22/2227 Cover Plate - 4' Dr	X
9	1	900981	22 End Cap Kit	
9	1	900397	22 Metal End Cap Kit	X
10	1	090048	Baseplate Bearing Strip (Pkg of 2)	
11	1	041174	22/22-F Center Case Cover	X
12	1	090077	22 Series Center Case Cover Screw Pkg/4	
13	1	966268	Cover Bearing Insert	

X in "Finish" column designates finished items; finish must be specified when ordering.

* To order, specify device type, size, and finish. Example: PBKIT 22 3' SP28

22-F RIM FIRE DEVICE



22-F RIM FIRE DEVICE

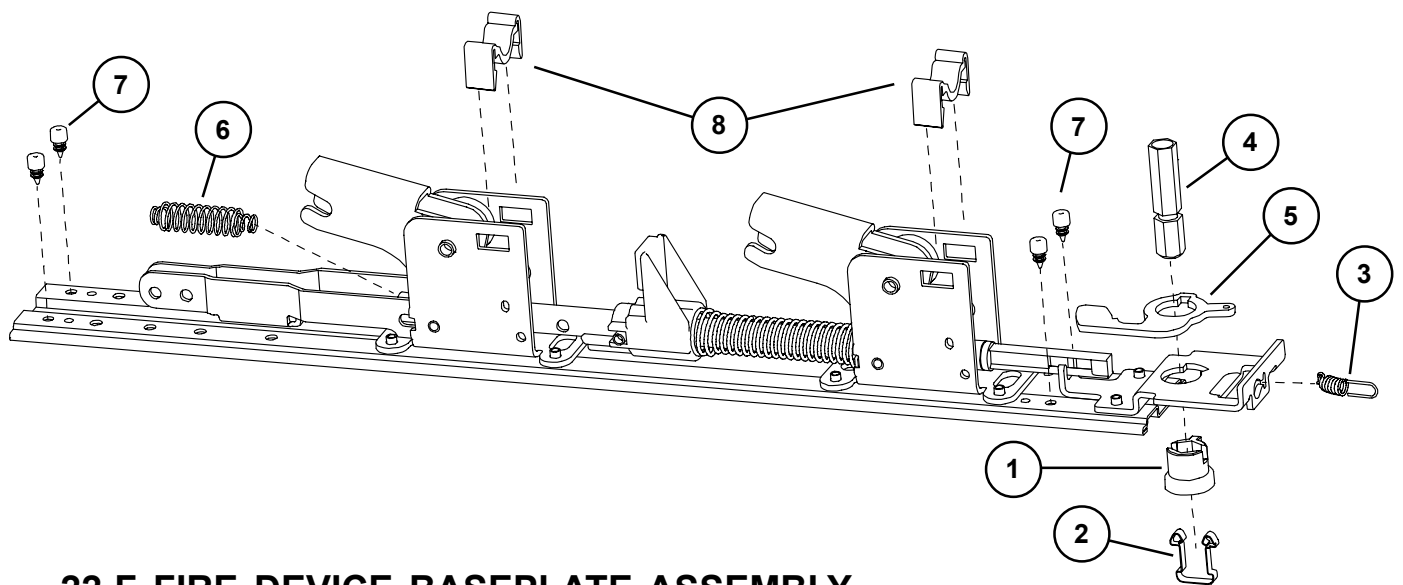
Item No.	Quantity	Part No.	Description	Finish
	1	900392	22 Series Mounting Pkg. (1-3/4 & 2-1/4)	
1	1	*PBKIT	22 Series Push Bar Retrofit Kit - 3' Door	X
1	1	*PBKIT	22 Series Push Bar Retrofit Kit - 4' Door	X
2	1	109012	22/22-F Rim Center Case Less Cover	
3	1	090037	Baseplate Screw (Pkg of 10)	
4	2	47289674	22 Center Case Spacer	
5	1	050529	Control Link Pin	
5	1	090031	Control Link Pin (Pkg of 10)	
6	1	968592	Cover Plate Bearing Insert	
7	1	969127	22/2227-F Cover Plate - 3' Dr	X
7	1	969126	22/2227-F Cover Plate - 4' Dr	X
8	1	900981	22 End Cap Kit	
8	1	900397	22 Metal End Cap Kit	X
9	1	090048	Baseplate Bearing Strip (Pkg of 2)	
10	1	041174	22/22-F Center Case Cover	X
11	1	090077	22 Series Center Case Cover Screw Pkg/4	
12	1	966268	Cover Bearing Insert	

X in "Finish" column designates finished items; finish must be specified when ordering.

* To order, specify device type, size, and finish. Example: PBKIT 22 3' SP28

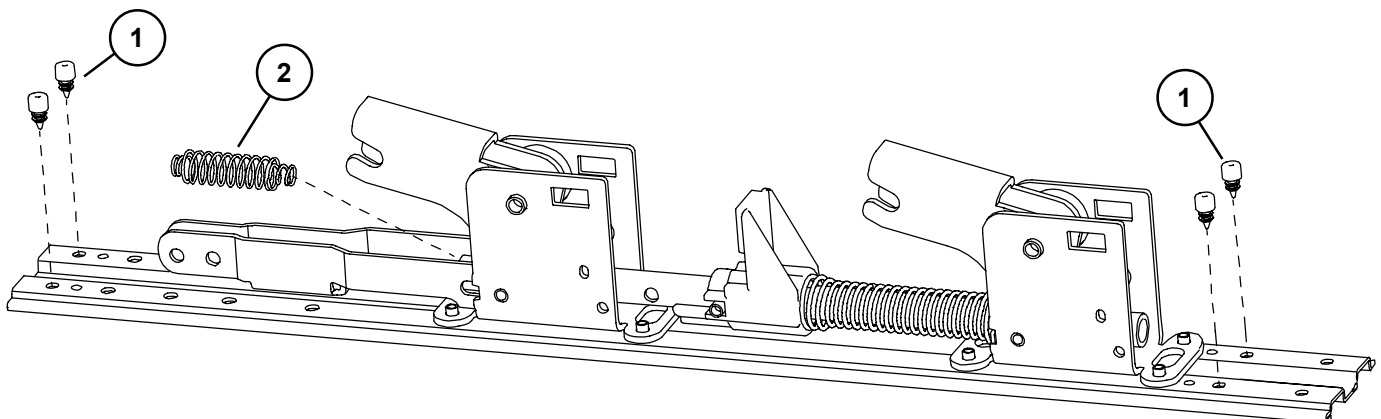
22 RIM PANIC DEVICE BASEPLATE ASSEMBLY

Item No.	Quantity	Part No.	Description	Finish
1	1	090043	Dogging adapter (Pkg of 2)	
2	1	090042	Dogging adapter spring (Pkg of 2)	
3	1	090041	Dogging spring (Pkg of 2)	
4	1	090040	Hex dogging shaft (Pkg of 2)	
5	1	090044	Dogging hook (Pkg of 2)	
6	1	090039	Latch return spring (Pkg of 10)	
7	4	090038	Rubber bumper (Pkg of 4)	
8	2	090048	Baseplate Bearing Strip (Pkg of 2)	



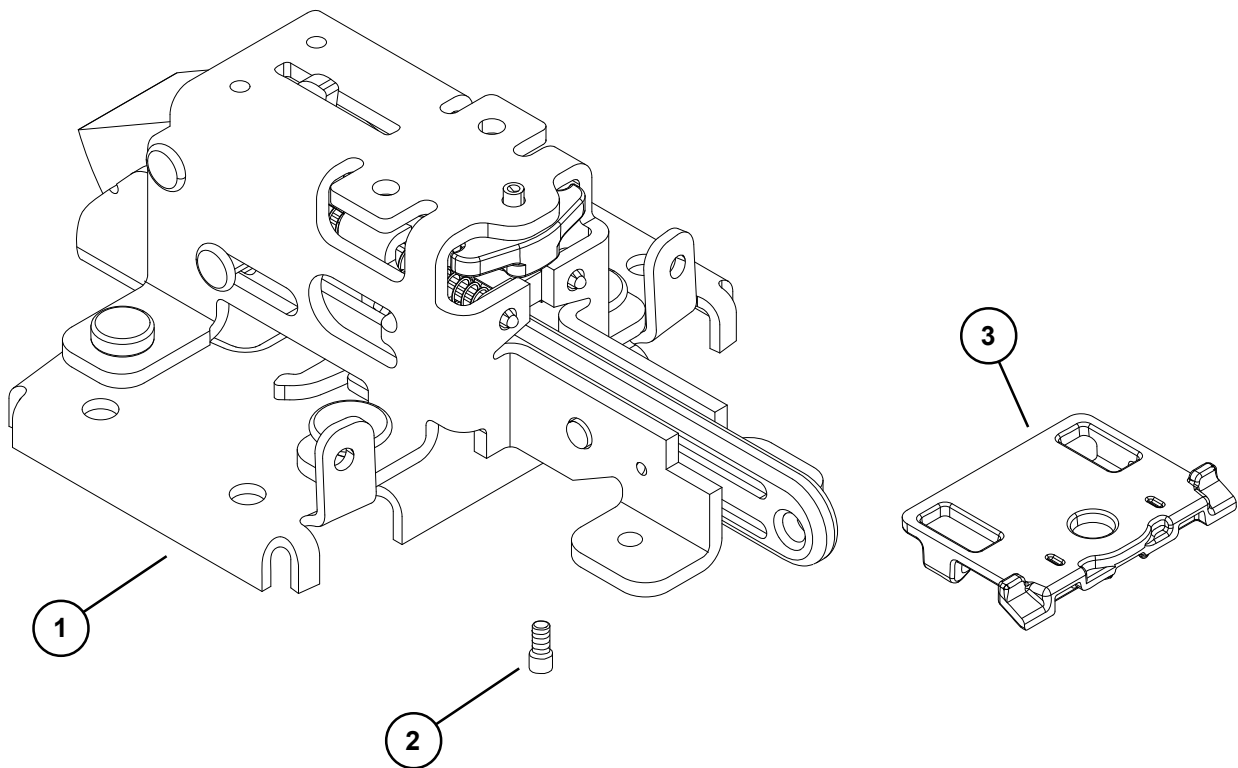
22-F FIRE DEVICE BASEPLATE ASSEMBLY

Item No.	Quantity	Part No.	Description	Finish
1	4	090038	Rubber bumper (Pkg of 4)	
2	1	090039	Latch return spring (Pkg of 10)	



22 PANIC & 22-F FIRE DEVICE CENTER CASE ASSEMBLY

Item No.	Quantity	Part No.	Description	Finish
1	1	109012	22/22-F Rim Center Case Less Cover	
2	1	090074	NL Drive Screw (Pkg of 10)	
3	1	965409	22/2227 Pushbar Stop	



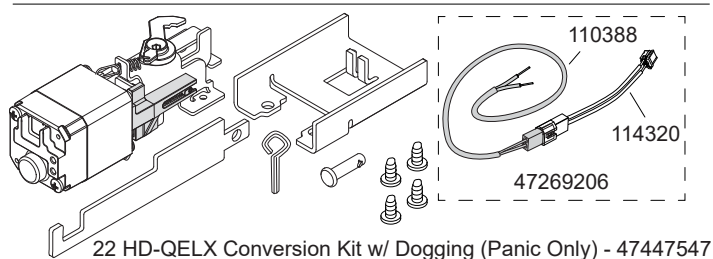
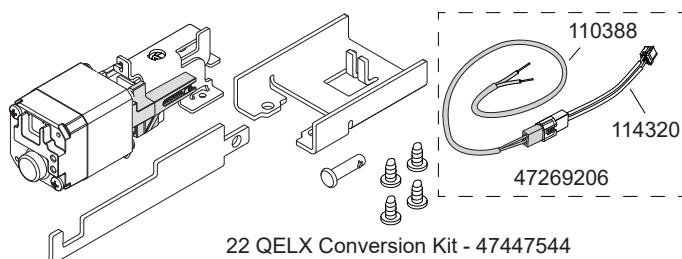
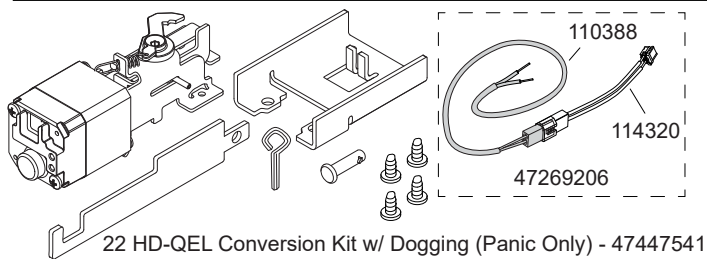
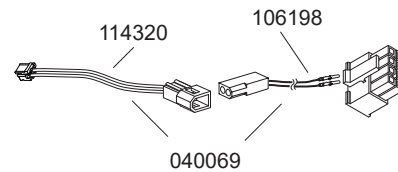
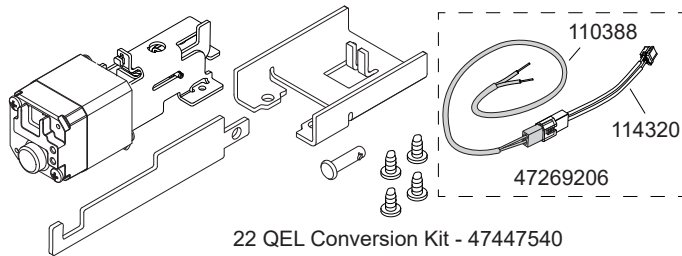
22 SERIES QEL (QUIET ELECTRIC LATCH)

QEL KITS

Part No.	Description	Finish
47447540	22 QEL Conversion Kit	
47447541	22 HD-QEL Conversion Kit w/ Dogging	
47447544	22 QELX Conversion Kit	
47447547	22 HD-QELX Conversion Kit w/ Dogging	

QEL REPLACEMENT PARTS

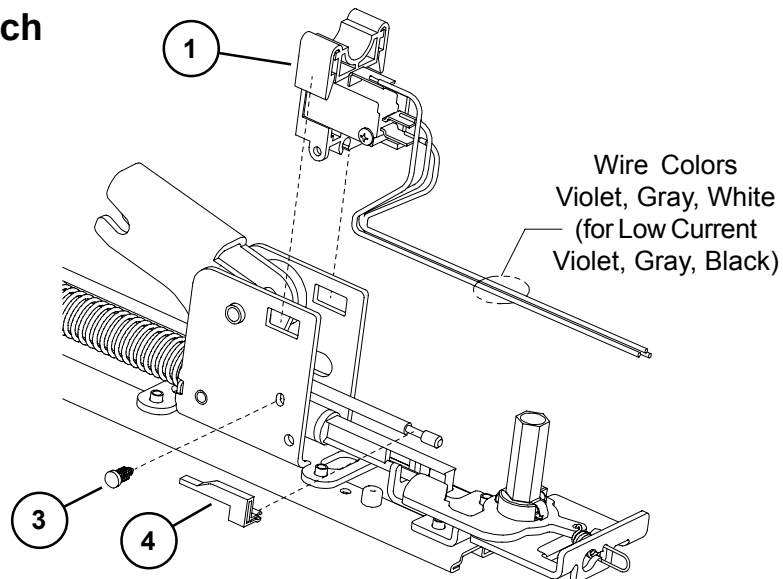
Part No.	Description	Finish
114320	QEL Motor Cable	
47269206	QEL Motor Cable w/ 6' Harness	
040069	QEL Motor Cable w/ QEL CON Adapter Harness	
106198	QEL CON Adapter Harness	
110388	EL Cable Assembly	



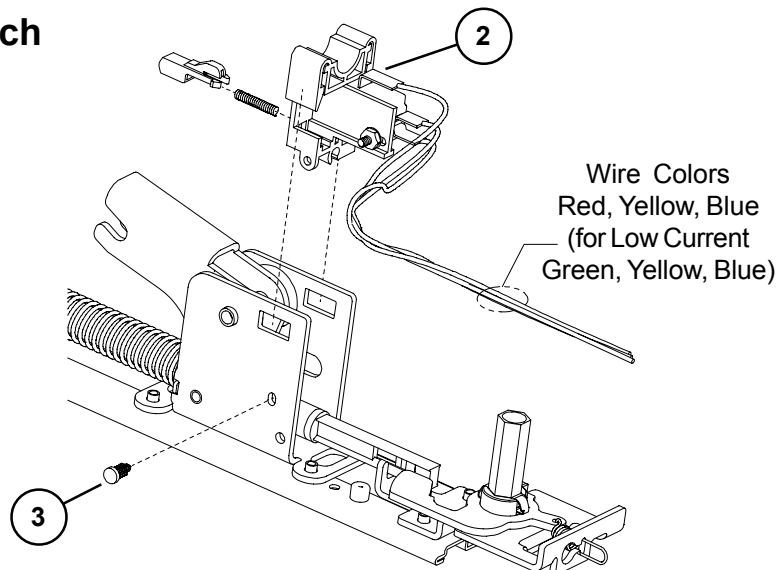
22 SERIES LX (LATCH BOLT MONITOR) & RX (REQUEST TO EXIT) OPTIONS

Item No.	Quantity	Part No.	Description	Finish
1	1	050254	LX Switch Kit 3' Device	
1	1	050255	LX Switch Kit 4' Device	
1	1	050283	LX-LC (Low Current) Switch Kit 3' Device	
1	1	050285	LX-LC (Low Current) Switch Kit 4' Device	
2	1	050251	RX Switch Kit	
2	1	050281	RX-LC (Low Current) Switch Kit	
3	1	090099	Pine Tree Clip (Pkg of 10)	
4	1	971091	LX Actuator	

LX Switch



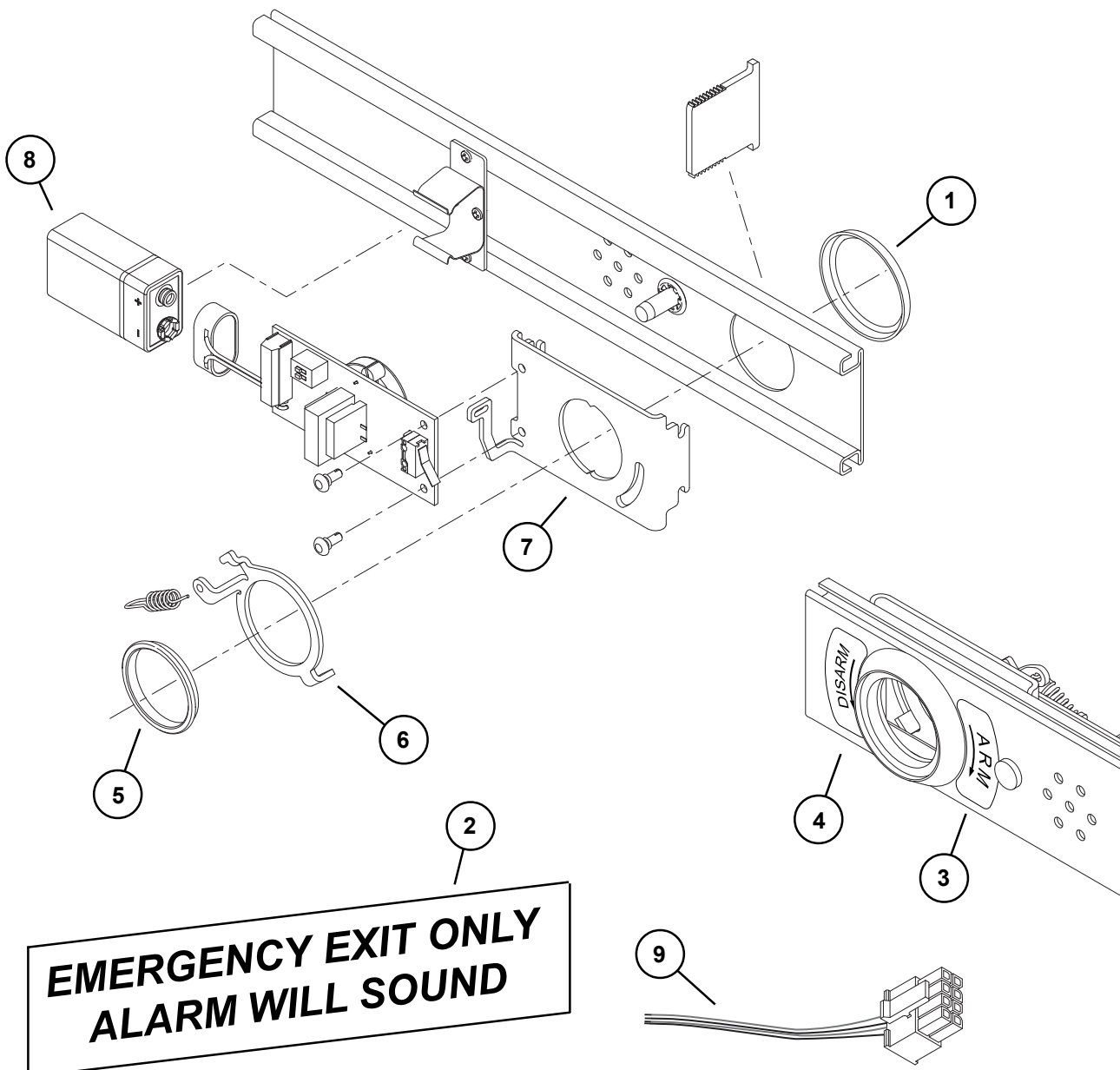
RX Switch



22 SERIES ALK EXIT ALARM KIT

Item No.	Quantity	Part No.	Description	Finish
1	1	967704	ALK Cylinder Collar - 22	X
2	1	SIGN-1	ALK Sign	
3	1	969349	ALK Arming Label	
4	1	969350	ALK Disarming Label	
5	1	969354	ALK Retainer Nut	
6	1	47268870	ALK Switch Actuator	
7	1	47270435	ALK Cylinder Bracket	
8	1	990637	ALK Battery	
9	1	106182	ALK CON Adapter Harness	

X in "Finish" column designates finished items; finish must be specified when ordering.



About Allegion

Allegion (NYSE: ALLE) creates peace of mind by pioneering safety and security. As a \$2 billion provider of security solutions for homes and businesses, Allegion employs more than 9,500 people and sells products in more than 130 countries across the world. Allegion comprises 25 global brands, including strategic brands CISA®, Interflex®, LCN®, Schlage® and Von Duprin®.

For more, visit www.allegion.com.

aptiQ ■ LCN ■ **SCHLAGE** ■ STEELCRAFT ■ VON DUPRIN